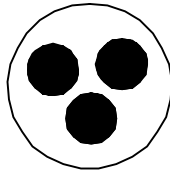
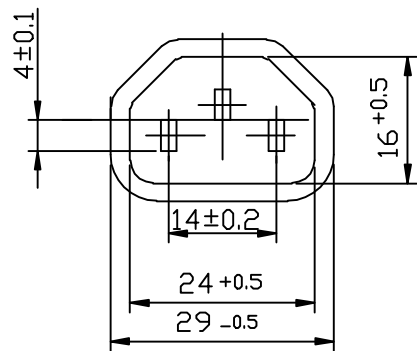
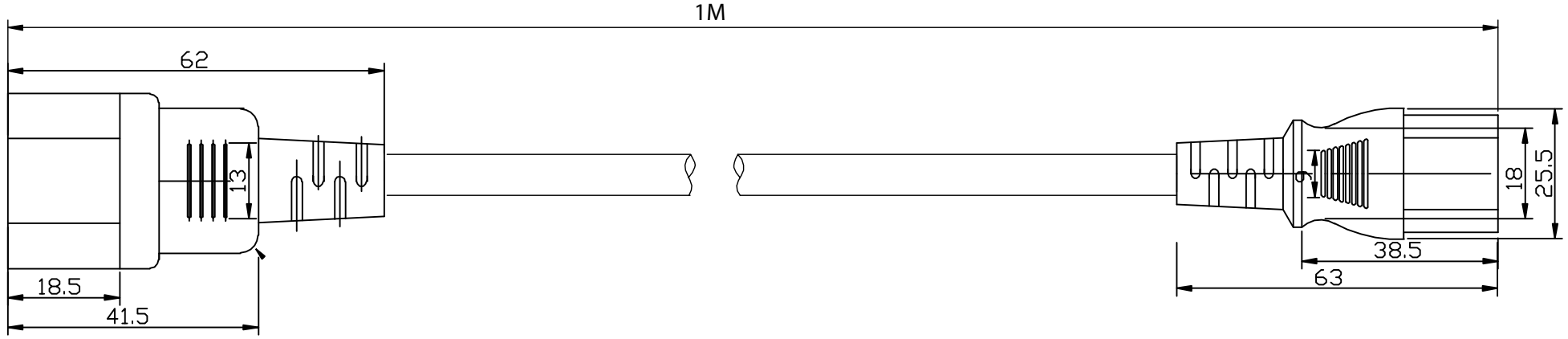
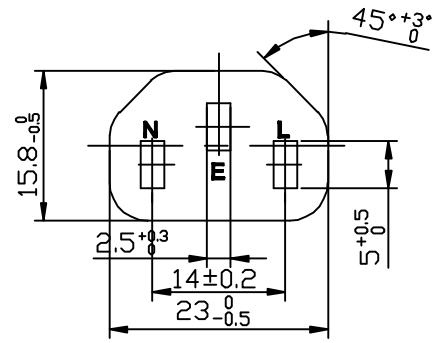


| BY | CHK | REVISION RECORD MODIFICATIONS | DATE | REV. |
|----|-----|-------------------------------|------------|------|
| | | INITIAL RELEASE | 2009.03.02 | A.0 |



H05VV-F 3X0.75mm²



| | |
|---|-------------------------------|
| 1 | IEC C14 — IEC C13 |
| 2 | H05VV-F 3X0.75mm ² |

| APPROVED | CHECKED | DRAWN | ITEM NO. | DEL-112 |
|----------|---------|-------|----------|---------|
| | | | DRAW NO. | |
| | | | UNIT | m m |
| | | | SCALE | NONE |

DESCRIPTION :
IEC C14 — IEC C13
H05VV-F 3*0.75mm²
1m

